

22WAY SIDE ENTRY FLEXI BRD SKT
 12 WAY SKT

03 B	UPDATED VALUES ADDED CANS TO PLA	MAJ				
03	FIXED LOTS MORE OF C.I. STUFF	DBH				
02	FIXED MORE OF C.I. STUFF	DBH				
01	FIXED C.I. STUFF	DBH				
REV/ISS	AMENDMENTS	DRAWN	CHKD	D.O.	APVD	DATE

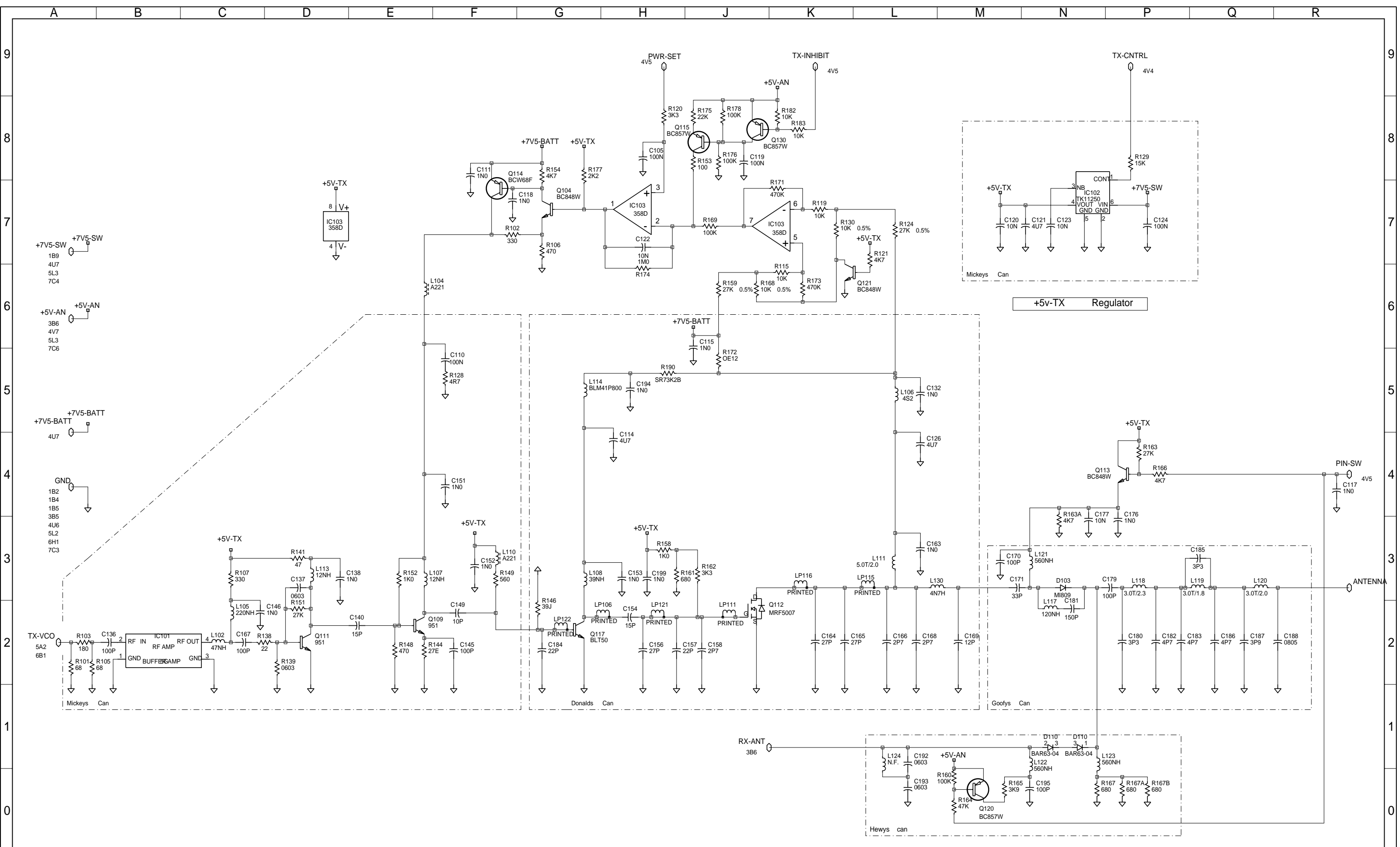
- MINI SHIELD VCO TOP
- DAFFYS SHIELD BOTM VCO
- DONALD SHIELD PA
- BUGGS SHIELD SYNTHIF
- MICKEYS SHIELD EXCITER
- GOOFYS SHIELD LPF
- MIC-SEAL MICGROMMET
- FRED SHIELD DEMOD
- JERRY SHIELD AUDIO
- HEWYS SHIELD RX
- REG SHIELD 14V REG
- DEWYS SHIELD FRONT END
- TOM SHIELD DIG CONTRL
- LEWYS SHIELD SYNTHIF

TAIT ELECTRONICS

ORCA :TP010-5122 400-470MHZ
SYSTEM DIAGRAM

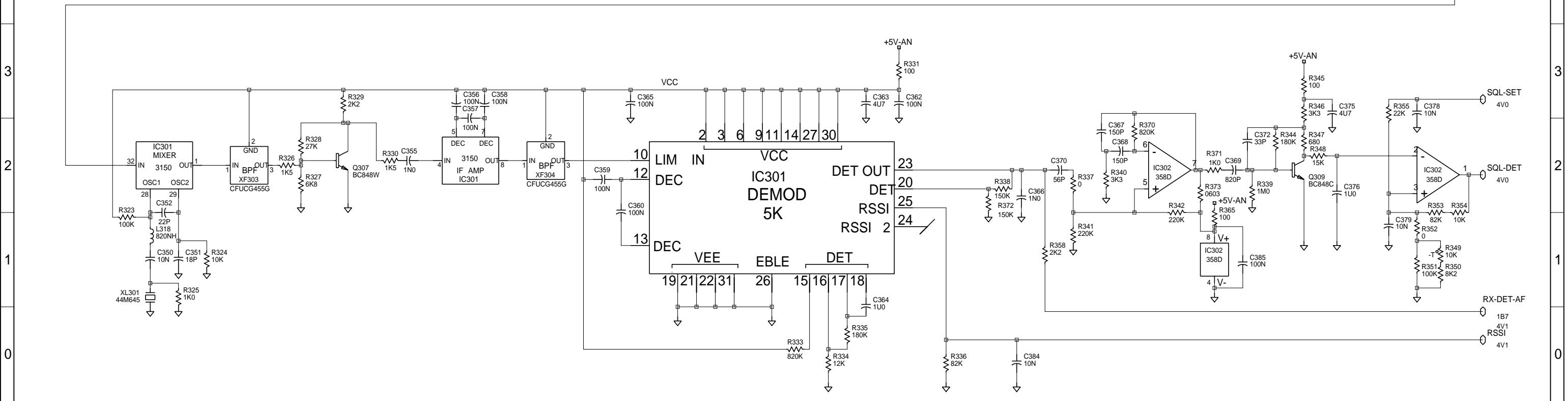
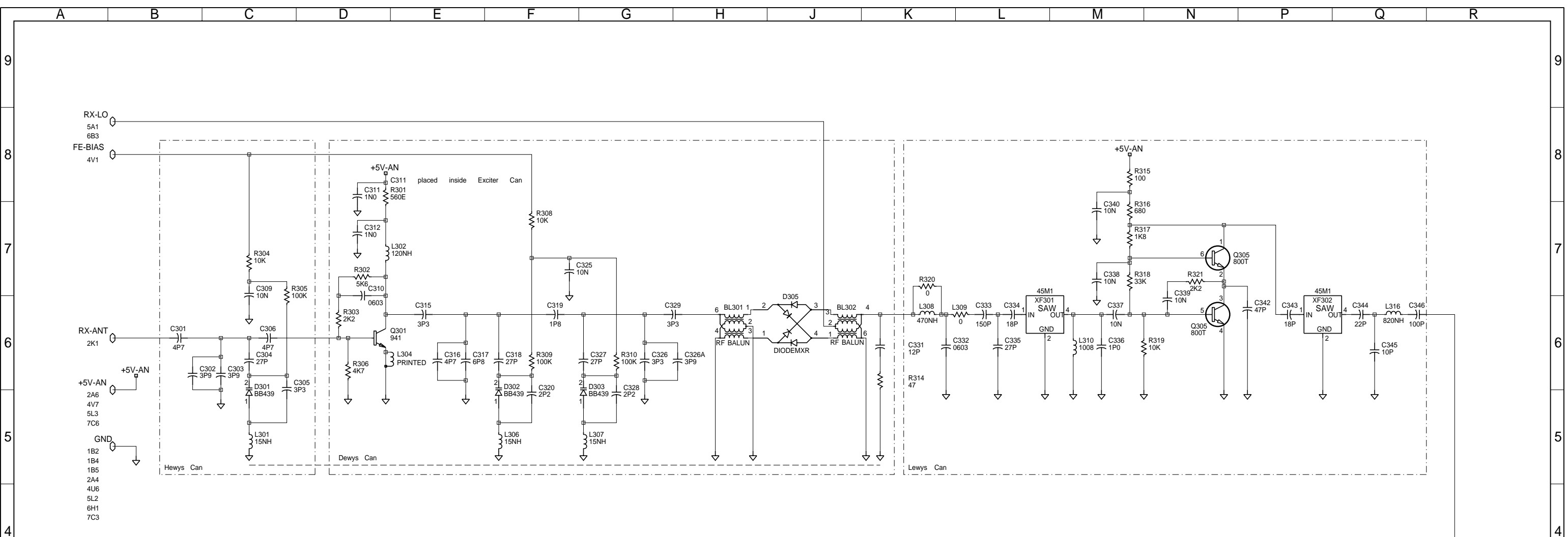
IPN: 220-01392-03 ISSUE: B ID: 2.S.C. 1

PROJECT: ORCA DESIGNER: MAJ FILE NAME: 139203B FILE DATE: 9-9-97 NO.SHEETS: 7



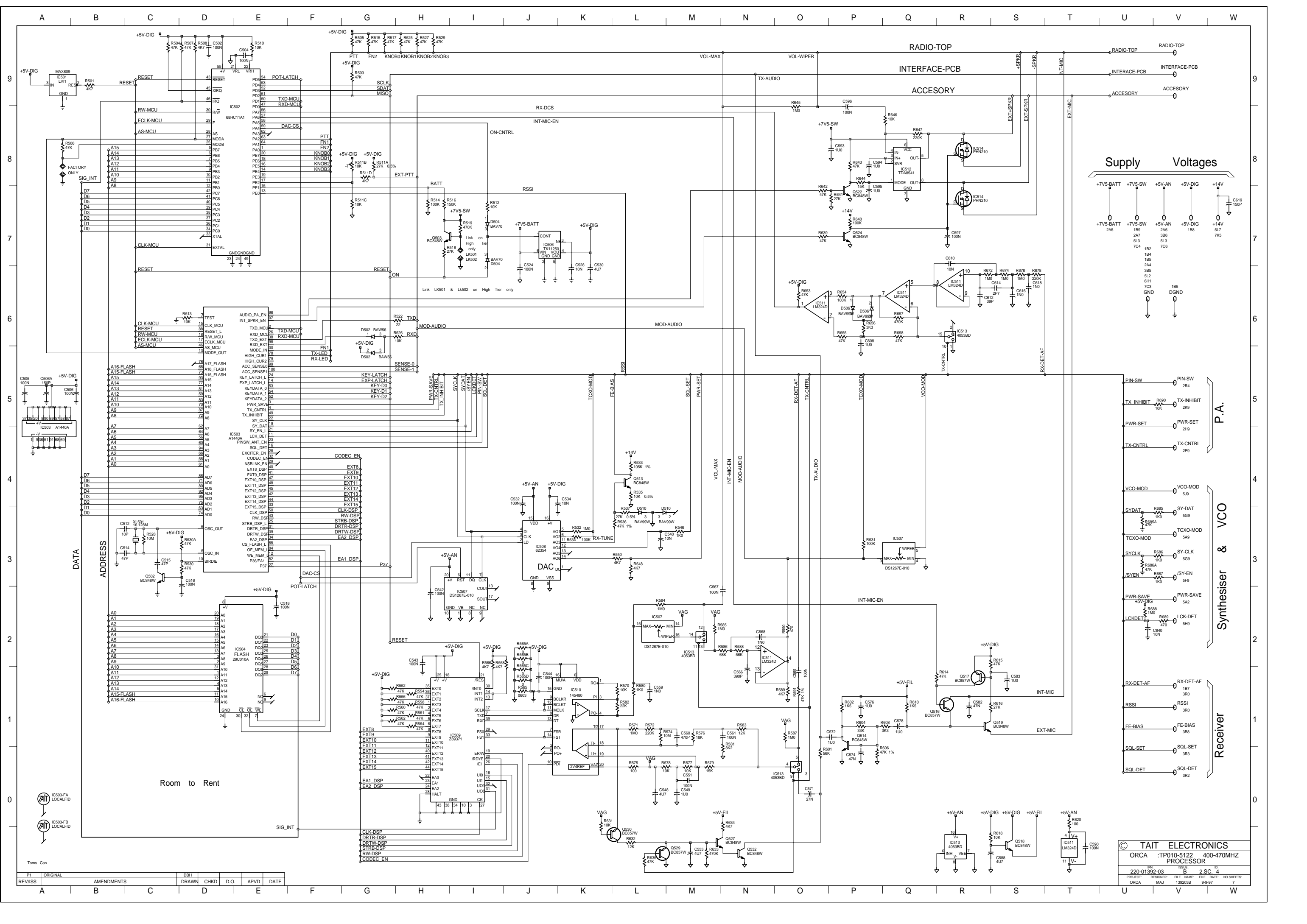
© TAIT ELECTRONICS
 ORCA :TP010-5122 400-470MHZ
 POWER AMPLIFIER
 IPN: B ID: 2.S.C. 2
 PROJECT: 220-01392-03 DESIGNER: MAJ FILE NAME: 139203B FILE DATE: 9-9-97 NO.SHEETS: 7

REV/ISS	AMENDMENTS	DRAWN	CHKD	D.O.	APVD	DATE
A						



© TAIT ELECTRONICS
 ORCA :TP010-5122 400-470MHZ RECEIVER
 IPN: 220-01392-03 ISSUE: B ID: 2.S.C. 3
 PROJECT: ORCA DESIGNER: MAJ FILE NAME: 139203B FILE DATE: 9-9-97 NO.SHEETS: 7

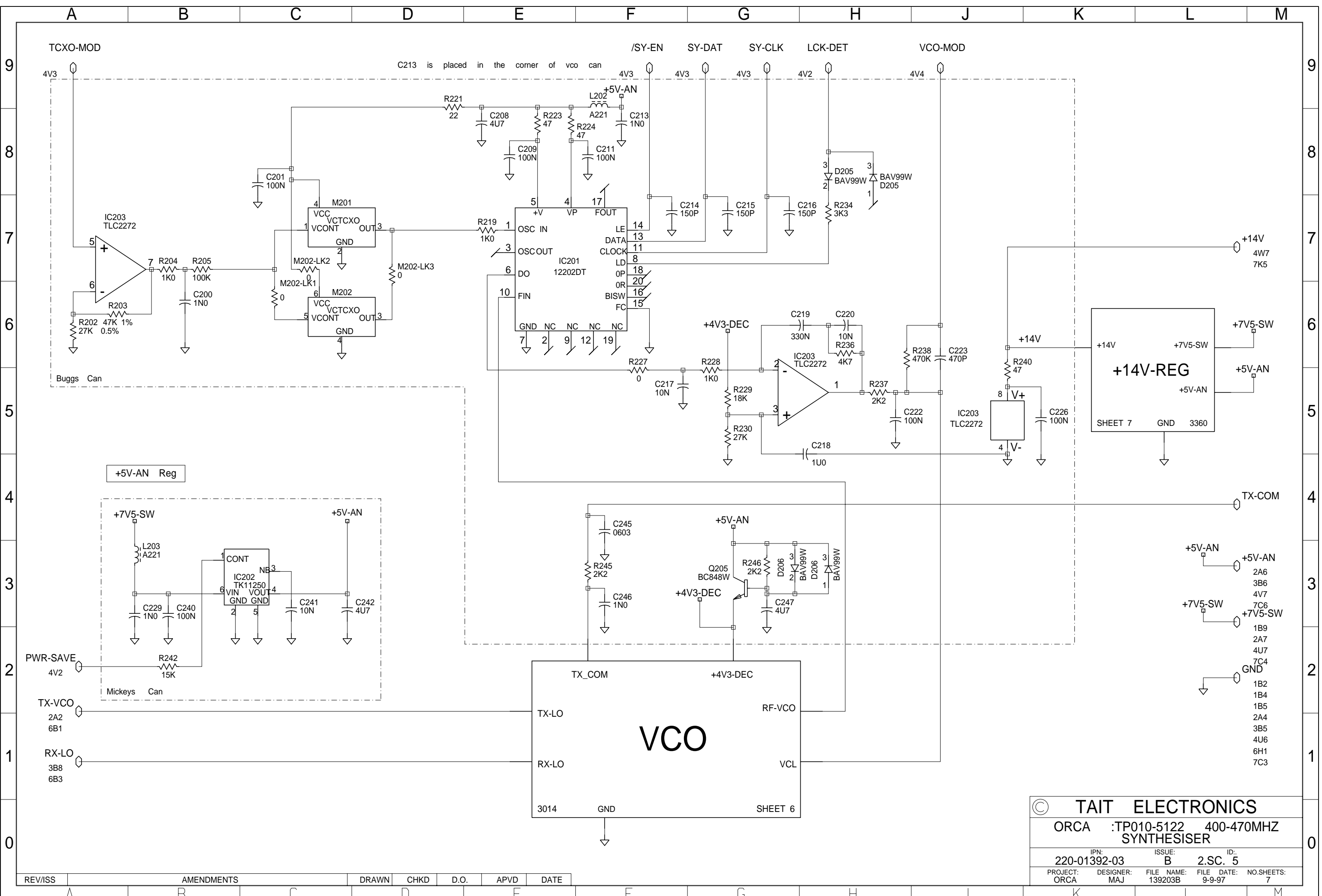
REV/ISS	AMENDMENTS	DRAWN	CHKD	D.O.	APVD	DATE



© TAIT ELECTRONICS
 ORCA :TP010-5122 400-470MHZ
 PROCESSOR
 ISSUE: B 2.S.C. 4
 PROJECT: 220-01392-03
 DESIGNER: MAJ
 FILE NAME: 1392038
 DATE: 9-9-97
 NO. SHEETS: 7

REV/ISS	ORIGINAL	AMENDMENTS	DBH	CHKD	D.O.	APVD	DATE
P1							

Toms Can



C213 is placed in the corner of vco can

+5V-AN Reg

Mickeys Can

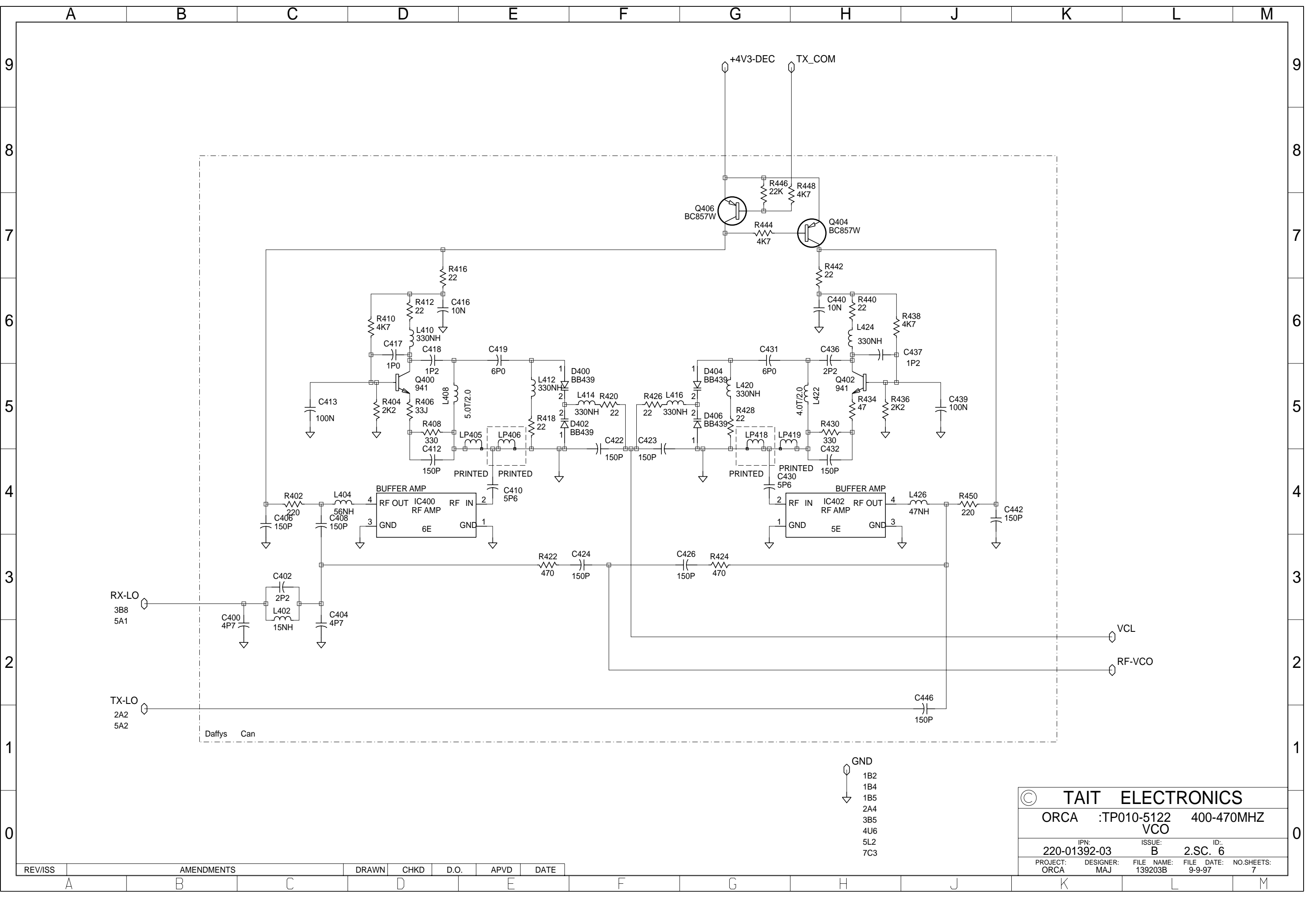
+14V-REG
SHEET 7
GND 3360

VCO
3014 GND
SHEET 6

© TAIT ELECTRONICS				
ORCA :TP010-5122 400-470MHZ SYNTHESISER				
IPN:	ISSUE:	ID:		
220-01392-03	B	2.SC. 5		
PROJECT:	DESIGNER:	FILE NAME:	FILE DATE:	NO.SHEETS:
ORCA	MAJ	139203B	9-9-97	7

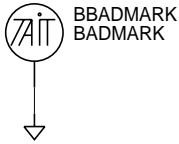
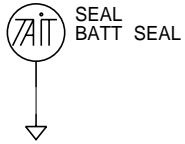
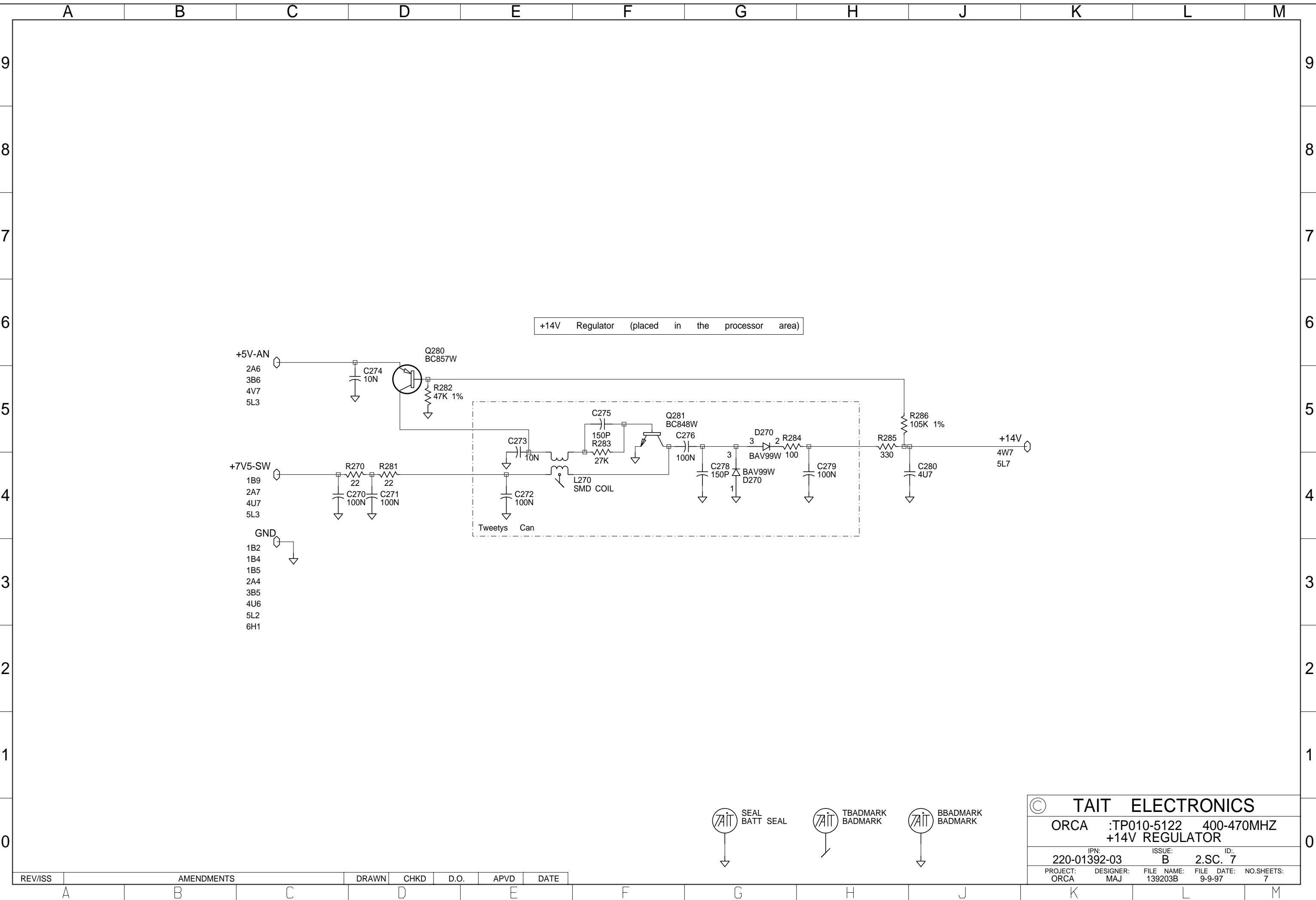
REV/ISS	AMENDMENTS	DRAWN	CHKD	D.O.	APVD	DATE

- +5V-AN 2A6
- +5V-AN 3B6
- 4V7 4V7
- +7V5-SW 7C6
- +7V5-SW 7C4
- GND 1B9
- 1A7 2A7
- 4U7 4U7
- 2A4 2A4
- 3B5 3B5
- 4U6 4U6
- 6H1 6H1
- 7C3 7C3



© TAIT ELECTRONICS
 ORCA :TP010-5122 400-470MHZ
 VCO
 IPN: 220-01392-03 ISSUE: B ID: 2.SC. 6
 PROJECT: ORCA DESIGNER: MAJ FILE NAME: 139203B FILE DATE: 9-9-97 NO.SHEETS: 7

REV/ISS	AMENDMENTS	DRAWN	CHKD	D.O.	APVD	DATE



© TAIT ELECTRONICS					
ORCA		:TP010-5122		400-470MHZ	
+14V REGULATOR					
IPN:		ISSUE:		ID:	
220-01392-03		B		2.SC. 7	
PROJECT:	DESIGNER:	FILE NAME:	FILE DATE:	NO.SHEETS:	
ORCA	MAJ	139203B	9-9-97	7	

REV/ISS	AMENDMENTS		DRAWN	CHKD	D.O.	APVD	DATE
---------	------------	--	-------	------	------	------	------